

# CMLB

## Full Color IP Camera



### CMLB5XRL400WH

- Full Color Dome
- 1/2.8" SONY Starvis Back-illuminated CMOS sensor
- H.265+/H.265/H.264+/H.264 Compression Method
- 2.7-13.5mm Motorized Lens
- Support Warm white (4000K) , up to 30m
- With Internal POE and SD Card Slot

www.longse.com

Data Subject To Change Without Notice

SPECIFICATION	
<b>Model NO.</b>	CMLB5XRL400WH
<b>Camera</b>	
Image Sensor	1/2.8" SONY Starvis Back-illuminated CMOS sensor
Resolution	4MP
Effective Pixels	2616 (H)*1964 (V)
Compression	H.264/H.264+/H.265/H.265+/JPEG/AVI /MJPEG
TV System	PAL/NTSC
Electronic Shutter Time	Auto: PAL 1/25-1/10000Sec; NTSC 1/30-1/10000Sec
Minimum Illumination	0.01Lux
S/N Ratio	≥52dB
Scanning System	Progressive
Video Output	Network
Reset Button	Optional
<b>Lens</b>	
Focus Length	2.7-13.5mm Motor Zoom
Focus Control	Auto
Lens Type	Auto
Pixels	4MP
<b>Night Vision</b>	
Infrared LED	No,Support Warm light LED 4000K, up to 30m
Infrared Distance	/
IR Status	Auto Control
IR Power On	Smart, Manual & Timed mode
<b>Network</b>	
Ethernet	RJ-45 (10/100Base-T)
Wireless	/
Protocol	TCP/IP, ICMP, HTTP, HTTPS, FTP, DHCP, DNS, DDNS, RTP, RTSP, RTCP, PPPoE, NTP, SMTP, UDP, SNMP
ONVIF	Support ONVIF 19.12(Profile S/T/G)
P2P	YES, Support QR Code
POE	Optional/Internal, Support IEEE 802.3af
Video Delay	0.3S (Within the Lan)
Main Stream 1	2592*1944@30fp
Main Stream 2	2560*1440@30fp
Main Stream 3	1920*1080@30fps 1280*720@30fps
Sub Stream 1	1280*720@30fps 720*480@30fps
Sub Stream 2	352*288@30fps
Sub Stream 3	/
Tri Stream	1280*720@30fps 720*480@30fps 352*288@30fps
IE Brower	IE8-11, Google Chrome, Firefox , Mac Safari
Smart Phone	iPhone, iPad, Android, Android Pad
<b>AI Function</b>	
Intelligent Analysis	Face Detection, Intrusion Detetion, Line Cross Detetion, Loiter Detetion, People Gather Detecion,motion detection based on human detection
<b>Camera Features</b>	
Day/Night	Color/ B&W (IR-CUT )
Image Config	Saturation/Brightness/Contrast /Sharpness, Mirror, 3D NR , White Balance, FLK(Flicker Control), Video Tampering, HLC, Distortion
Full Statlight	Support
Corridor Pattern	Support
Defog Mode	Support
ROI	Support
BLC	Support
WDR	HDR: 120dB
Motion Detection	Support
Privacy Masking	3 Rectangular Zone
Recording Mode	NVR/CMS/Web
Language	Chinese Simplified, Chinese Traditional, English, Bulgarian, Polish, Arabic, German, Russian, French, Korean, Portuguese, Japanese, Turkish, Spanish, Hebrew, Italian,Nederlands,Czech, Vietnamese
<b>Interface</b>	
Audio	Optional 1 Built-in MIC
Alarm	Optional 1 Channel Input/Ouput
SD Card Slot	Optional Internal, Support Max 512GB
RS485	/
<b>General</b>	
Housing	Metal ,IP67
Anti-cut Bracket	No
IR Cut Filter	YES
Operation Temperature	-20℃ ~ +60℃ RH95% Max
Storage Temperature	-20℃ ~ +60℃ RH95% Max
Power Source	DC12V±10%, 1000mA
Dimension	∅ 128 x 108(H)mm
Weight	800g

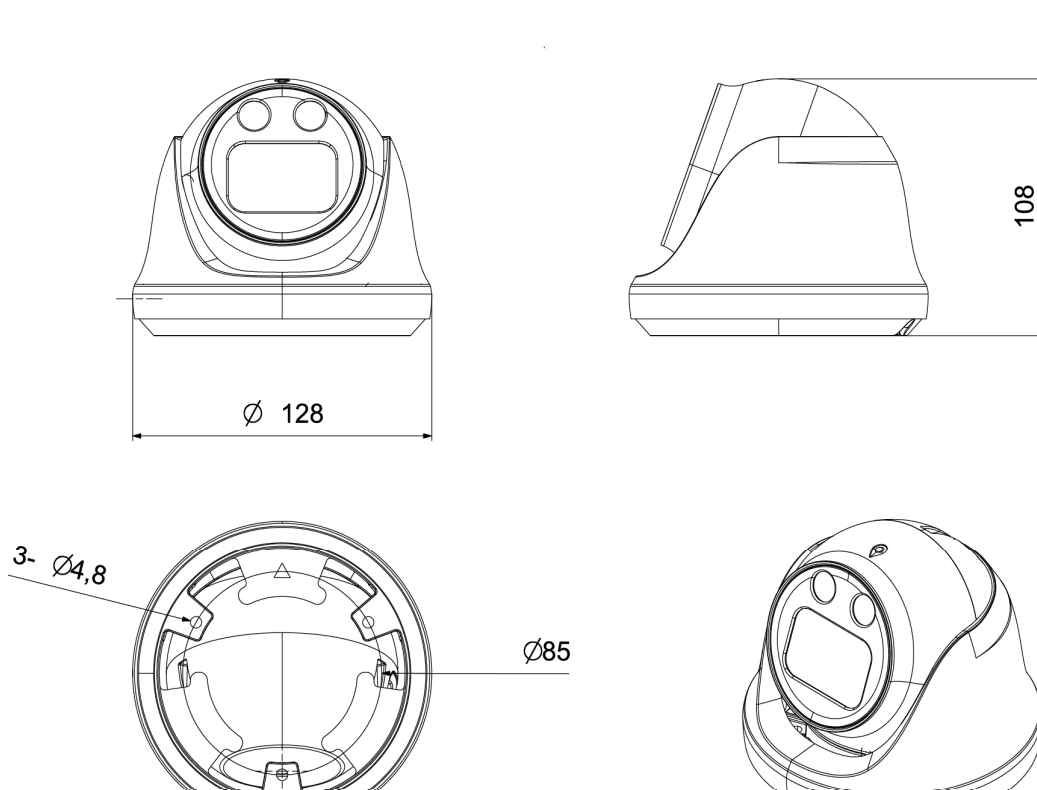
www.longse.com

Data Subject To Change Without Notice

### Technical Specifications

Model	CMLB
Material	Aluminum & SECC & PC
Dimension(WxHxD)	Φ128 x 108mm
Weight	set with packaging 800g
Color	Sand Grain White
Operating Temperature	-20°C ~ +60°C
Humidity	< 95% RH
Optional accessories	B320, B173-02

### Dimensions (mm)



www.longse.com

Data Subject To Change Without Notice